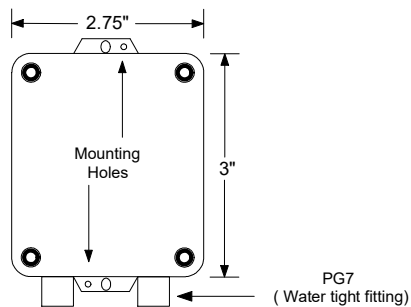


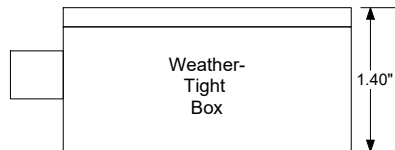
General Specifications
 Supply voltage: 10-35 VDC or 10-29VAC

SNR-010-1 Operating Range
 -40-140 F
 0-100% RH

Front View

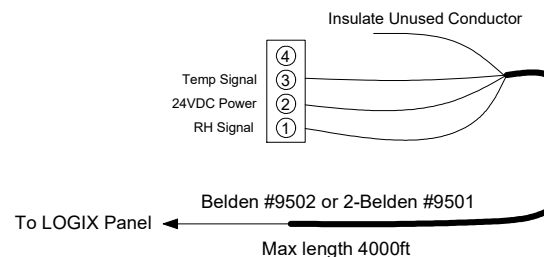


Side View



Wiring Detail

Note: consult specific panel wiring schematic provided by Logix.



NOTES:

Requires 3 conductor #18 AWG shielded cable up to 4000' in length. Two Belden #9501 cables may be used or one 9502/8770. Ground shield at control panel end only. Insulate shield at sensor end.

Sensor must be protected from ingress of moisture. The preferred sensor enclosure entry method is to apply a water-tight fitting on the sensor enclosure and provide a drip loop. If the sensor requires a conduit connection, the conduit entering the sensor must be sealed internally with foam or putty to completely prevent air movement. Moisture damage is **NOT** covered by warranty.

Ensure drip loop is installed correctly to prevent moisture entering the enclosure; that may cause harm to the sensor.

Avoid close proximity to line voltage wiring – this applies to both sensor placement and sensor cabling.

Sensor wiring runs may extend up to 4000 feet from a LOGIX Panel.

The sensor cable ground shield should be grounded inside the LOGIX Panel and left floating with heat shrink insulation at the sensor end.

A maximum of 8 inches of signal wire should be left unshielded at the LOGIX panel (end of the cable).

NEVER run the Belden sensor cable in the same conduit as power wiring.

Run sensor cabling 3 feet or more from VFD power cables, even if metallic conduit is used.

Submit alternate cable specs to LOGIX for approval.



© Copyright 2022 Logix® All Rights Reserved.

CONFIDENTIAL: The information herein is confidential and may NOT be reproduced or divulged without the written permission of The Controls Group, Inc. LOGIX is a registered trademark of The Controls Group, Inc.

| | | |
|-----------------------------------------|-----|----------|
| Wiring & Installation Detailed Drawing | | |
| Title Wetbulb Temperature | | |
| LOGIX P/N: SNR-010-1_Dwyer | | |
| Date | Rev | Drawn by |
| 01/17/2022 | 01 | NRJ |
| Drawing Filename SNR-010-1_Dwyer.axd | | |