

General Specifications

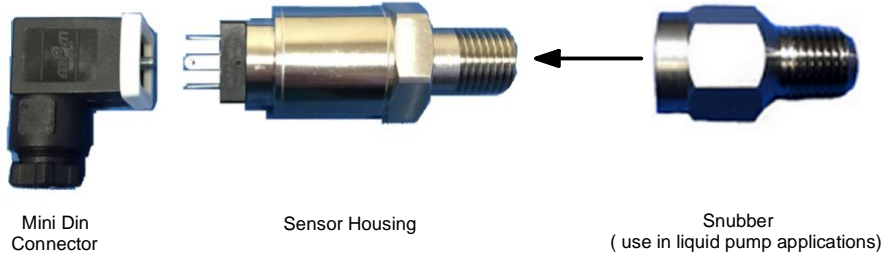
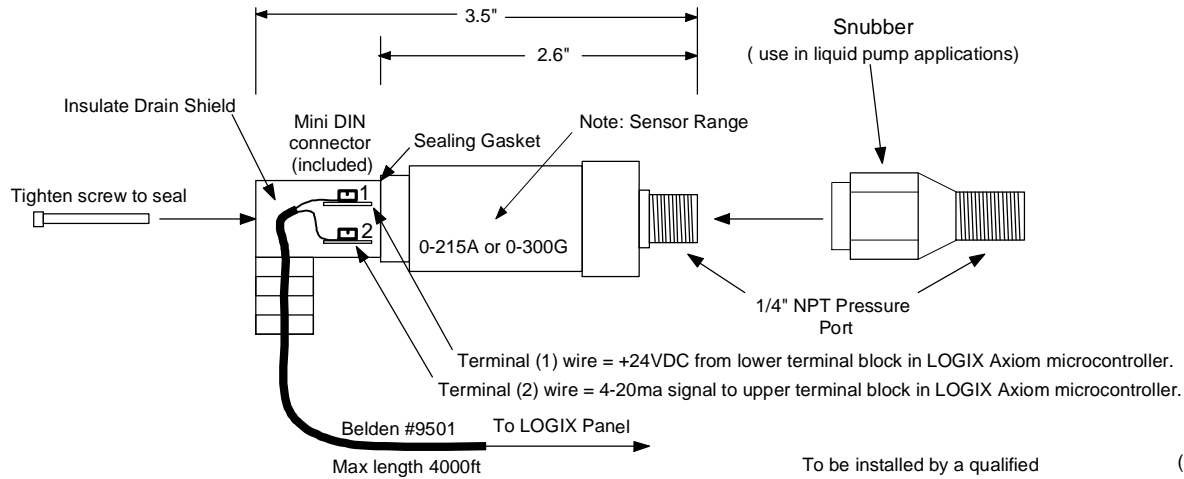
Supply Voltage: 8-30 VDC
Stability: < 0.25% full scale per year typical
Output Signal: 4-20mA
Response Time: < 1ms.
Proof Pressure: 3x rated pressure
Burst Pressure: 5x rated pressure
Accuracy: <0.5% full scale includes non-linearity, repeatability, and hysteresis
Temp. Rating: -40° to 221°F (-40°C to 105°C)
Wetted Parts: 304L and 316L stainless steel

SNR-062 Pressure Range

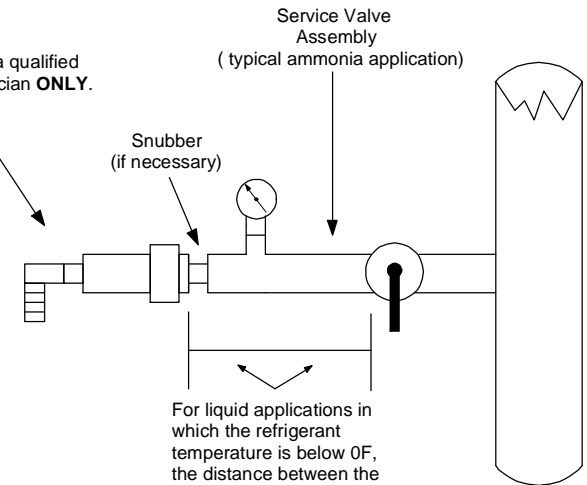
0-215 PSIA

SNR-063 Pressure Range

0-300 PSIG



To be installed by a qualified refrigeration technician **ONLY**.



NOTES:

When using pressure transducers in liquid pump application install the supplied pressure snubber between the transducer and port. To avoid damage to the transducer verify with LOGIX if one is required for each application.

Avoid close proximity to line voltage wiring – this applies to both sensor placement and sensor cabling.

Sensor wiring runs may extend up to 4000 feet from a LOGIX Panel.

Cable for analog sensors is shielded #24 AWG Belden #9501 or equal, 2 conductor cable run in separate conduit from power wiring. Wiring applications below -22°F/-30°C requires Belden #88761 shielded cable or equal.

The sensor cable ground shield should be grounded inside the LOGIX Panel and left floating with heat shrink insulation at the sensor end.

A maximum of 8 inches of signal wire should be left unshielded at the LOGIX panel (end of the cable).

NEVER run the Belden sensor cable in the same conduit as power wiring.

Run sensor cabling 3 feet or more from VFD power cables, even if metallic conduit is used.

Submit alternate cable specs to LOGIX for approval.



CONFIDENTIAL: The information herein is confidential and may NOT be reproduced or divulged without the written permission of The Controls Group, Inc. LOGIX is a registered trademark of The Controls Group, Inc.

Wiring & Installation Detailed Drawing		
Title Pressure Sensor		
LOGIX P/N: SNR-062 (0-215PSIA) & SNR-063 (0-300 PSIG)		
Date 03/13/15	Rev 01	Drawn by RCO
Drawing Filename SNR-062-063 Pressure.axd		