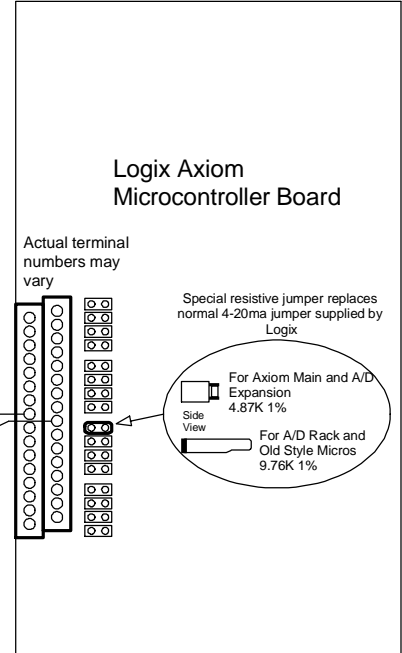
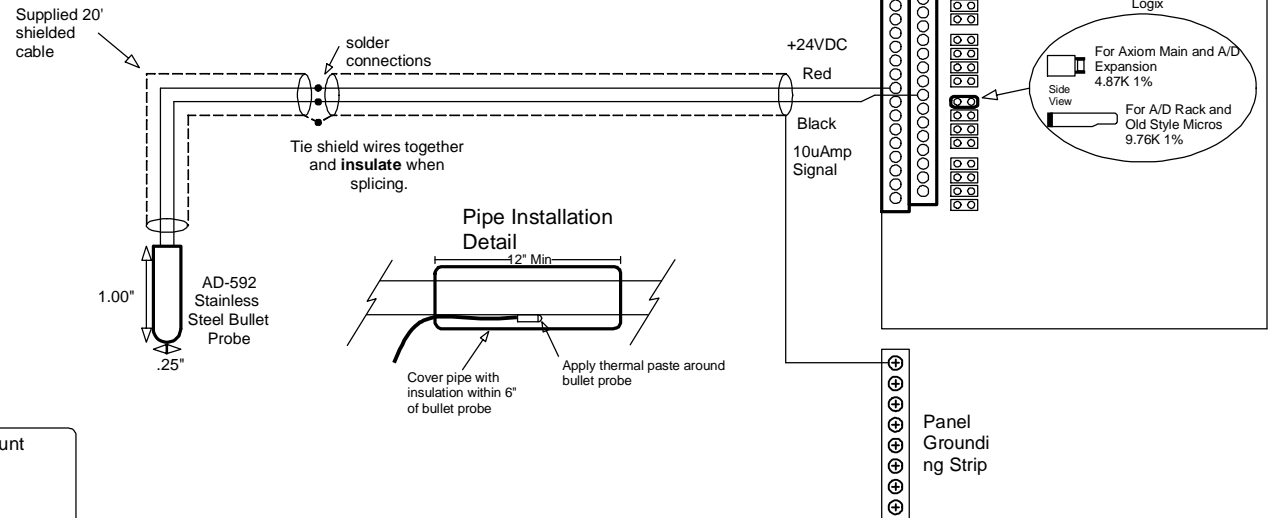


### General Specifications

Sensing Element: 1000 Ohm Platinum Class A RTD  
 Temp Coefficient: .00385 Ohm/C  
 Temperature Effect: .02% @ 55C  
 Transmitter Output: 2-wire linear 4-20ma current  
 Transmitter Operating Temperature: -40 - 85C  
 Transmitter Operating Humidity: 0 - 90% non-condensing  
 Transmitter Calibrated Accuracy: .2% of full scale span  
 Repeatability: +/- .2C  
 Enclosure: Plastic NEMA4X  
 Recommended Field Calibration Interval: 12 months

SNR-012 Temperature Range

-279 - 441 F



### NOTES:

- Attach probe to bottom of pipe and insulate all pipe within 6 inches. (surface mount application only)
- Moisture damage is **NOT** covered by warranty.
- Ensure drip loop is installed correctly to prevent moisture entering the enclosure; that may cause harm to the sensor.
- Avoid close proximity to line voltage wiring – this applies to both sensor placement and sensor cabling.
- Sensor wiring runs may extend up to 4000 feet from a LOGIX Panel.
- Cable for analog sensors is shielded #24 AWG Belden #9501 or equal, 2 conductor cable run in separate conduit from power wiring. Wiring applications below -22°F/-30°C requires Belden #88761 shielded cable or equal.
- The sensor cable ground shield should be grounded inside the LOGIX Panel and left floating with heat shrink insulation at the sensor end.
- A maximum of 8 inches of signal wire should be left unshielded at the LOGIX panel (end of the cable).
- NEVER** run the Belden sensor cable in the same conduit as power wiring.
- Run sensor cabling 3 feet or more from VFD power cables, even if metallic conduit is used.
- Submit alternate cable specs to LOGIX for approval.



© Copyright 2019 Logix® All Rights Reserved.

CONFIDENTIAL: The information herein is confidential and may NOT be reproduced or divulged without the written permission of The Controls Group, Inc. LOGIX is a registered trademark of The Controls Group, Inc.

Wiring & Installation Detailed Drawing			
Title			
UnderFloor Temperature Sensor			
Logix P/N SNR-012			
Date	03/16/15	Rev	01
Drawn by	RCO		
Drawing Filename	SNR-012_FloorTemp.axd		