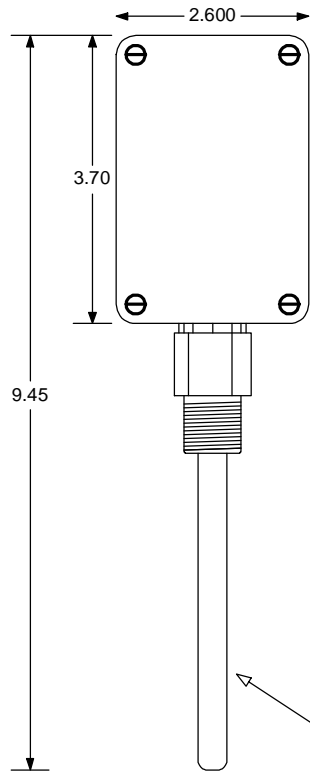
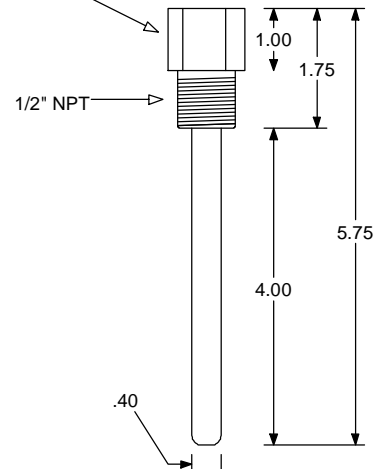
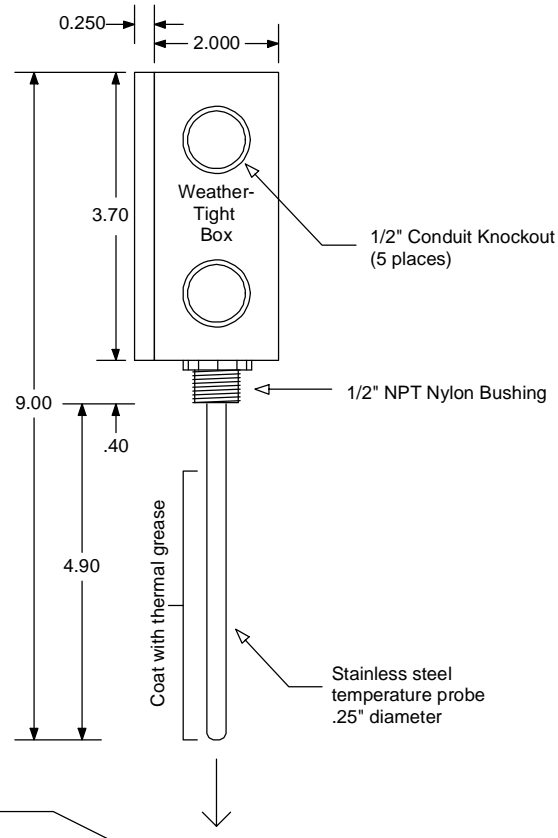


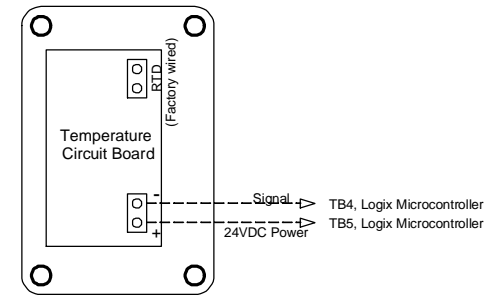
Front View
(Assembled)



Side View
(Exploded)



Inside Cover
Wiring Detail



NOTES:

- 1) Requires 2 conductor #24 AWG shielded cable Belden 9501 or equal up to 2000' in length. Ground shield at control panel end only. Insulate shield at sensor end.
- 2) Mount as close as possible to equipment being monitored.
- 3) In condensed liquid applications mount on the common condenser header as close to the condensers as possible.
- 4) In evaporator leaving liquid applications mount at the low point of the coil.
- 5) Do not over-torque the nylon bushing.
- 6) Warning: Sensor must be protected from ingress of moisture. The conduit entering the sensor must be sealed internally with foam or putty to completely prevent air movement. Additionally, drill a weep hole at lowest installed point of the enclosure if it exposed to continuous moisture. Moisture damage is not cover by warranty.



© Copyright 2007 Logix® All Rights Reserved.
 CONFIDENTIAL: The information herein is confidential and may NOT be reproduced or divulged without the written permission of The Controls Group, Inc. LOGIX is a registered trademark of The Controls Group, Inc.

Title		
Thermowell Temperature Sensor		
Wiring & Installation Detail		
Logix P/N SNR-006 and SNR-008		
Date	Rev	Drawn by
02/09/2007	01A	MAG
Drawing Filename		
SNR-006_Thermowell.axd		