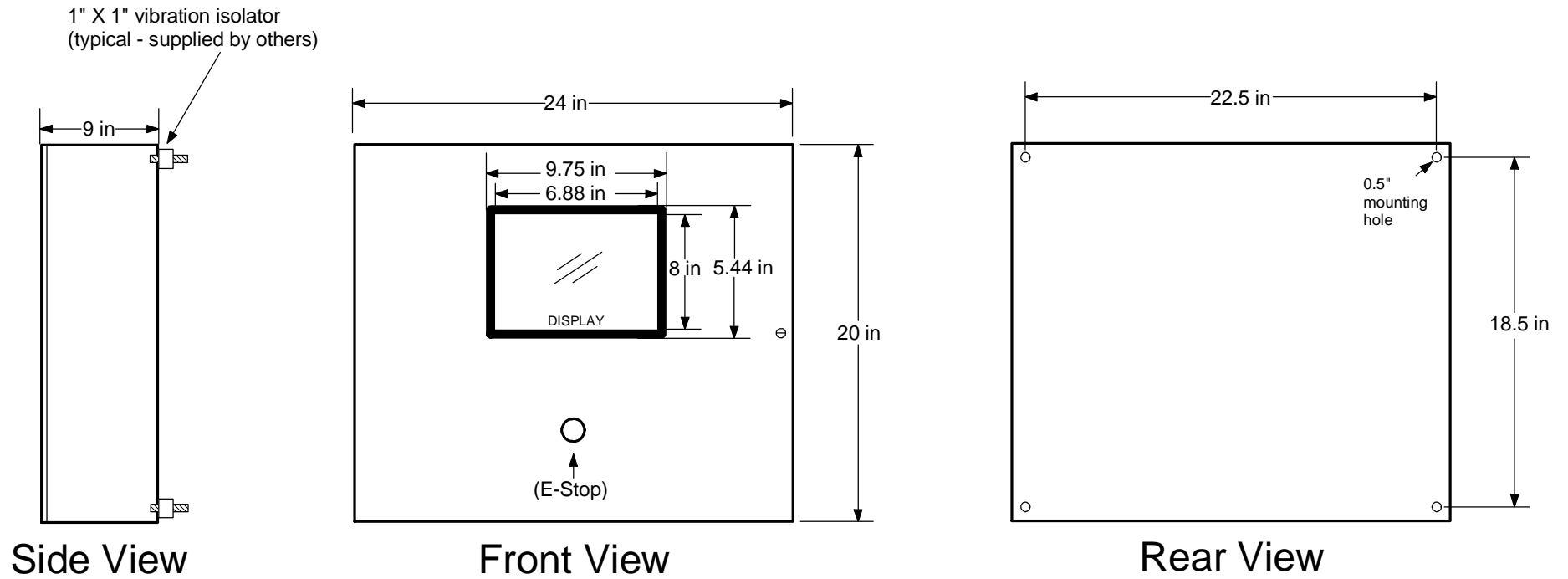


Penetrating Top of Enclosure Will Void Warranty



Notes:

UL Listed Type 4.

CCS panel is rated for -25°F to 125°F.

Slotted quarter turn notch provided for securing the door.

Concealed hinges with removable stainless steel pins are provided.

Mounting holes are provided in back of enclosure. Hardware, sealing washers & hole plugs are provided.



© Copyright 2016 Logix® All Rights Reserved.

CONFIDENTIAL: The information herein is confidential and may NOT be reproduced or divulged without the written permission of The Controls Group, Inc. LOGIX is a registered trademark of The Controls Group, Inc.

Title Logix CCS Microcontroller Mounting & Dimensions		
Date 4/21/16	Rev 01	Drawn by NRJ
Drawing Filename LogixCCSEnclosure		