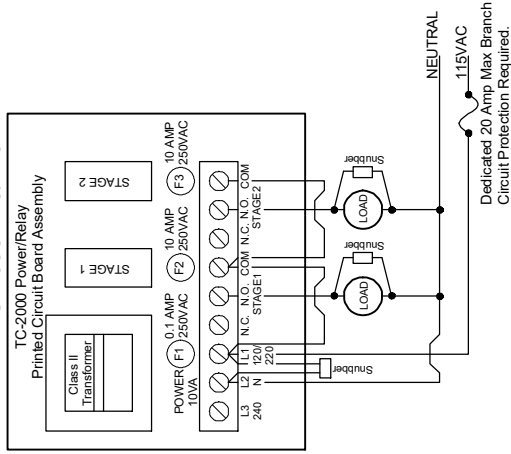
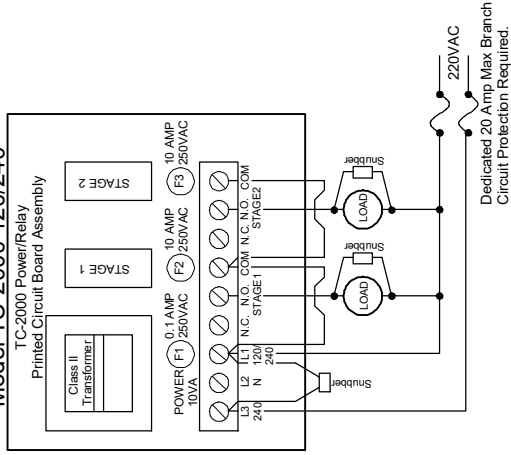


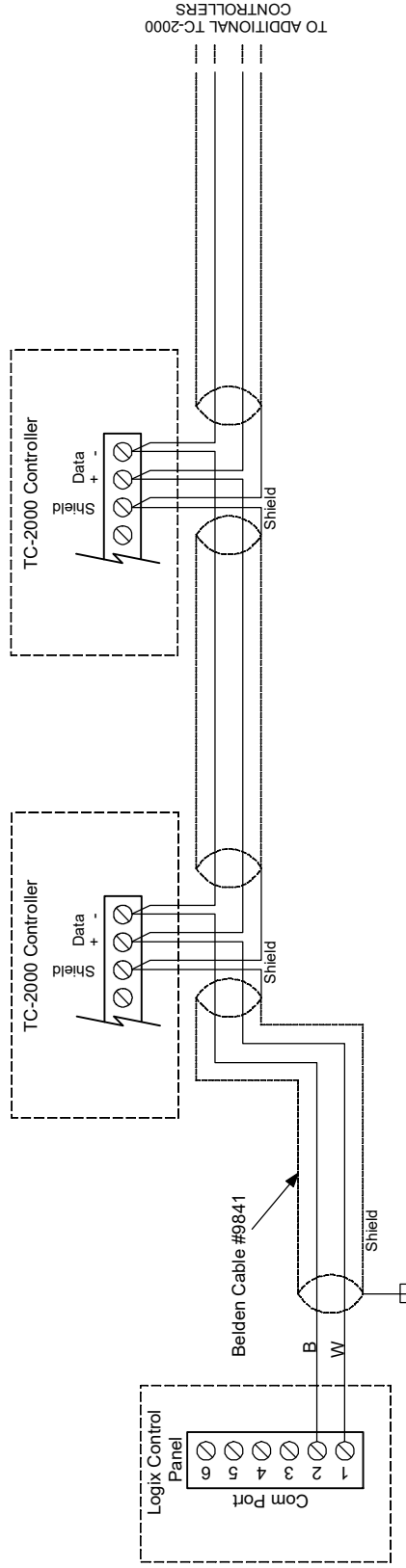
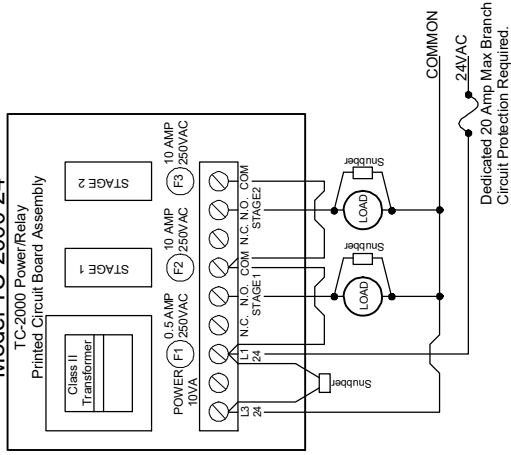
115VAC Field Wiring Diagram  
Model TC-2000-120/240



220VAC Field Wiring Diagram  
Model TC-2000-120/240



24VAC Field Wiring Diagram  
Model TC-2000-24



**NOTES:**

- Maximum total cable length is 4000 feet.
- Only "Daisy Chain" wiring topology is allowed. Any termination can save a **MAXIMUM** of 100 feet.
- To prevent short circuit, the foil shield foil must not be exposed. Cover with heatshrink tubing or "milk" the outer cable jacket back before cutting the foil.
- The bare shield drain wire must be insulated with heatshrink tubing. To maintain enclosure integrity, use a PG7 liquid-tight 4X rated strain relief for each cable or combine the cables inside a liquid-tight conduit. Do NOT combine low voltage and line voltage wiring inside the same conduit.
- Enter the TC-2000 enclosure from the bottom only.

LEGEND	
R	= Red
W	= White
BLK	= Black
Or	= Orange
G	= Green

**\*\*WARNING\*\***  
Do not punch, drill, puncture, etc. the top of the TC-2000 or the warranty shall be void.



© Copyright 2005 Logix®. All Rights Reserved.  
CONFIDENTIAL: The information herein is confidential and may NOT be reproduced or divulged without the written permission of The Controls Group, Inc. LOGIX is a registered trademark of The Controls Group, Inc.

Title <b>TC-2000 WIRING DETAIL</b>	
Power and Network Wiring	
Date	08/18/2005
Rev.	1B
Drawn by	MAG
Filename	TC-2000 Wiring.AXD