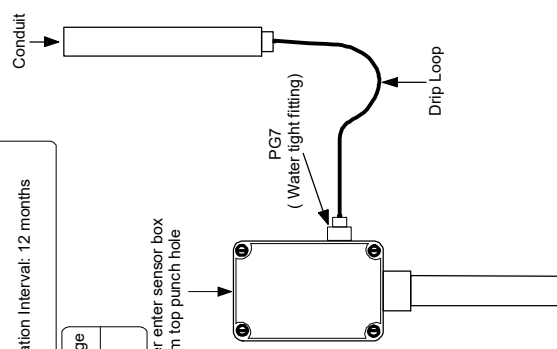
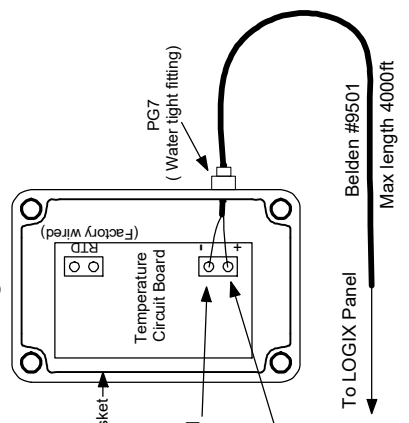


General Specifications	
Sensing Element:	1000 Ohm Platinum Class A RTD
Temp Coefficient:	.00385 Ohm/C
Temperature Effect:	.02% @ 55C
Transmitter Output:	2-wire linear 4-20ma current
Transmitter Operating Temperature:	-40 - 85C
Transmitter Operating Humidity:	0 - 90% non-condensing
Transmitter Calibrated Accuracy:	.2% of full scale span
Repeatability:	+/- .2C
Enclosure:	Plastic NEMA4X
Recommended Field Calibration Interval:	12 months
ISO9001 Certified	
SNR-005 Temperature Range	
-50-125 F	
Never enter sensor box from top punch hole	



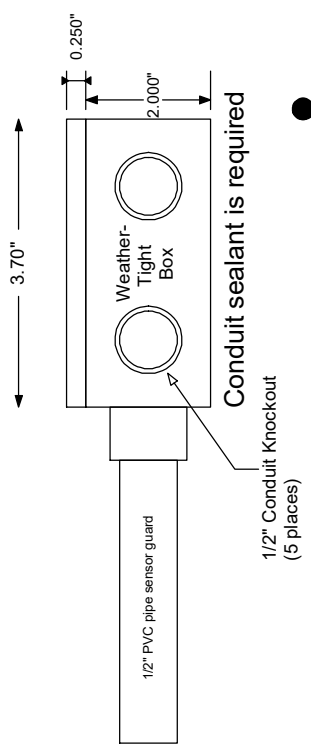
Inside Cover Wiring Detail



NOTES:

- For evaporator applications, mount in the returning air flow to the coil at the lowest point possible.
- Sensor must be protected from ingress of moisture. The preferred sensor enclosure entry method is to apply a water-tight fitting on the sensor enclosure and provide a drip loop as shown. If the sensor requires a conduit connection, the conduit entering the sensor must be sealed internally with foam or putty to completely prevent air movement. Moisture damage is **NOT** covered by warranty.
- Ensure drip loop is installed correctly to prevent moisture entering the enclosure; that may cause harm to the sensor.
- Avoid close proximity to line voltage wiring – this applies to both sensor placement and sensor cabling.
- Sensor wiring runs may extend up to 4000 feet from a LOGIX Panel.
- Cable for analog sensors is shielded #24 AWG Belden #9501 or equal, 2 conductor cable run in separate conduit from power wiring. Wiring applications below -22°F/-30°C requires Belden #88761 shielded cable or equal.
- The sensor cable ground shield should be grounded inside the LOGIX Panel and left floating with heat shrink insulation at the sensor end.
- A maximum of 8 inches of signal wire should be left unshielded at the LOGIX panel (end of the cable).
- NEVER** run the Belden sensor cable in the same conduit as power wiring.
- Run sensor cabling 3 feet or more from VFD power cables, even if metallic conduit is used.
- Submit alternate cable specs to LOGIX for approval.

Side View



© Copyright 2019 Logix® All Rights Reserved.
 CONFIDENTIAL: The information herein is confidential and may NOT be reproduced or divulged without the written permission of The Controls Group, Inc. LOGIX is a registered trademark of The Controls Group, Inc.

Wiring & Installation Detailed Drawing			
Title	Room Air Temperature Sensor		
	LOGIX P/N: SNR-005		
Date	03/13/15	Rev	01
Drawn by	RCO		
Filename	SNR-005_RoomTemp.axd		